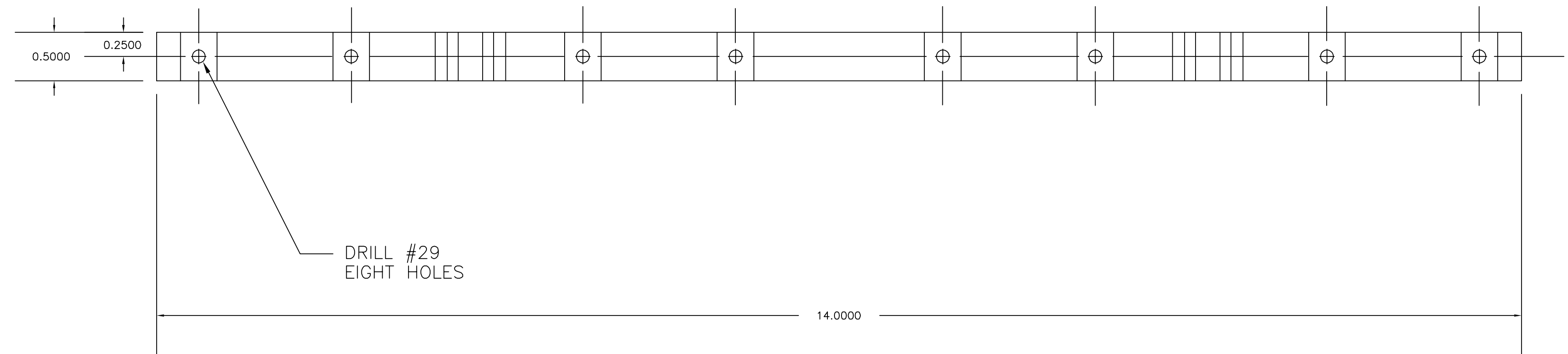
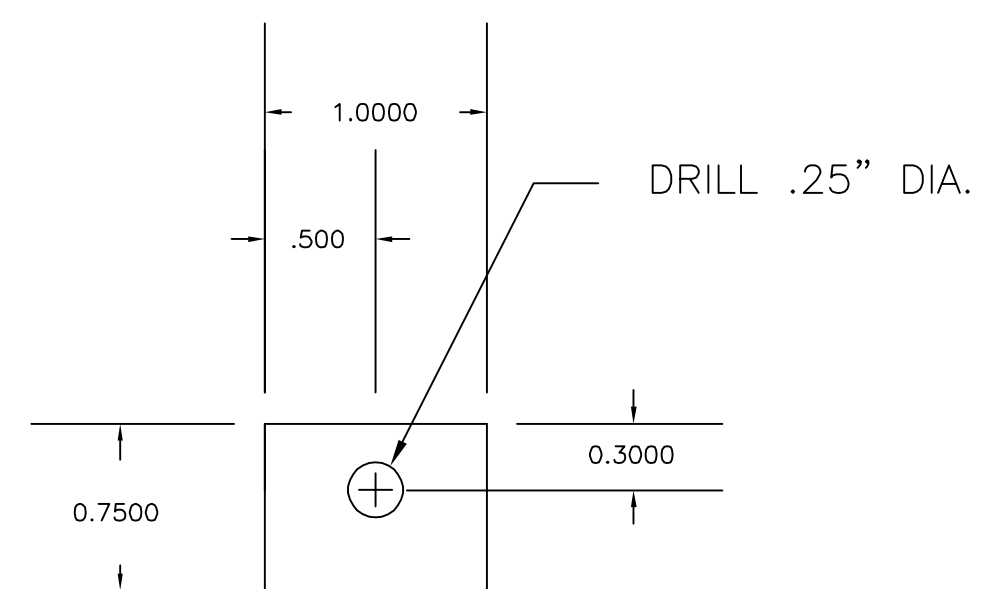


TOP VIEW

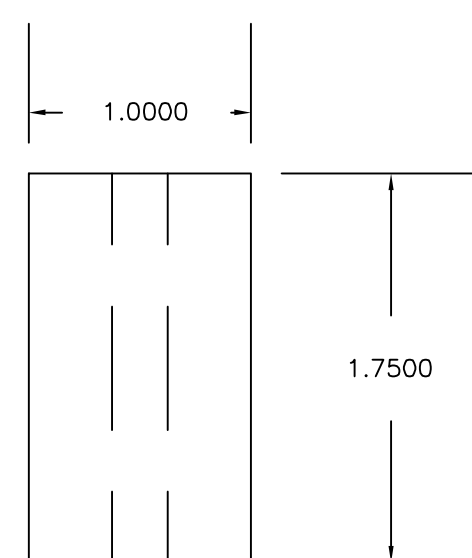


LEFT SIDE VIEW

CROSSBAR  
(ONE REQUIRED)



BASES  
(TWO REQUIRED)



COMPLETION PARTS NEEDED:  
 TWO--1/4"-20 HEX HEAD CAP SCREWS, 2 3/4" LENGTH  
 TWO--1/4" FLAT WASHERS  
 FOUR-- 1/8" DIA. ROLL PIN, 1" LENGTH  
 EIGHT--#8-32 SOCKET HEAD CAP SCREWS; 3/4" LENGTH

NOTES:

- 1) PRE-ASSEMBLE BASES TO CROSSBAR AND DRILL THROUGH CROSSBAR INTO BASE 1/2" FOR ROLL PIN INSTALLATION.
- 2) BEVEL ON BASE INSTALLS TOWARDS RIGHT SIDE OF CROSSBAR
- 3) TAP EIGHT HOLES ON LEFT SIDE OF CROSSBAR FOR #8-32 THREAD